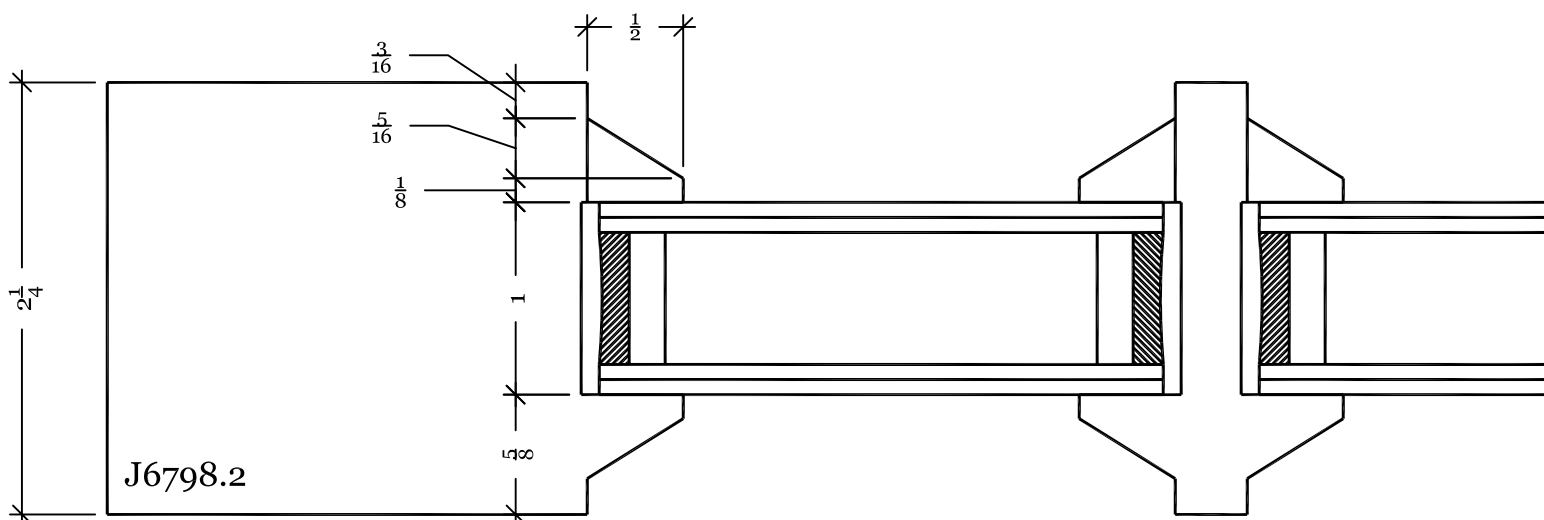
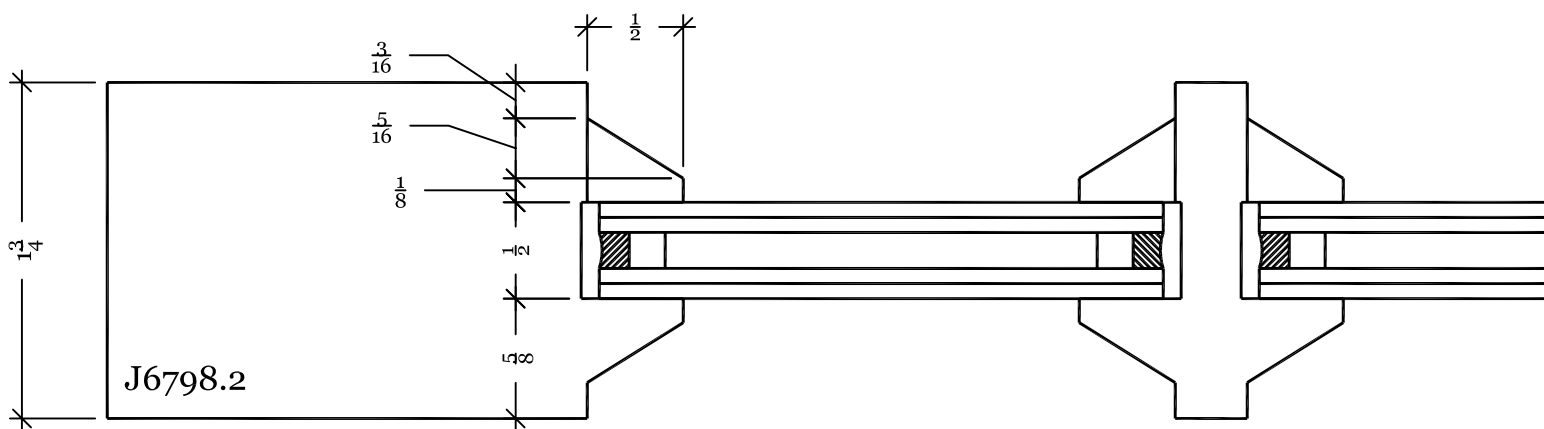
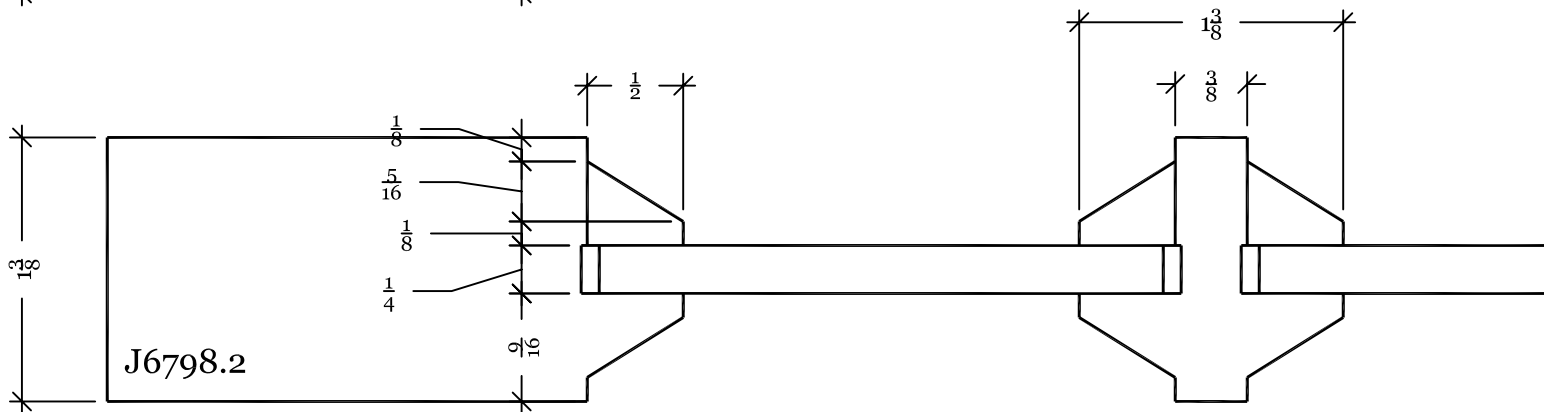
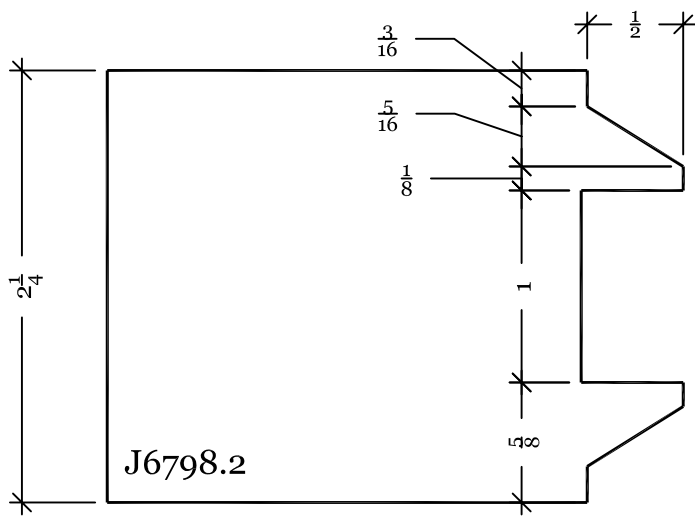
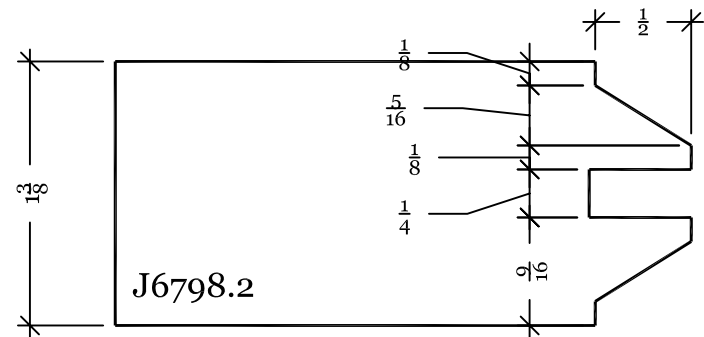
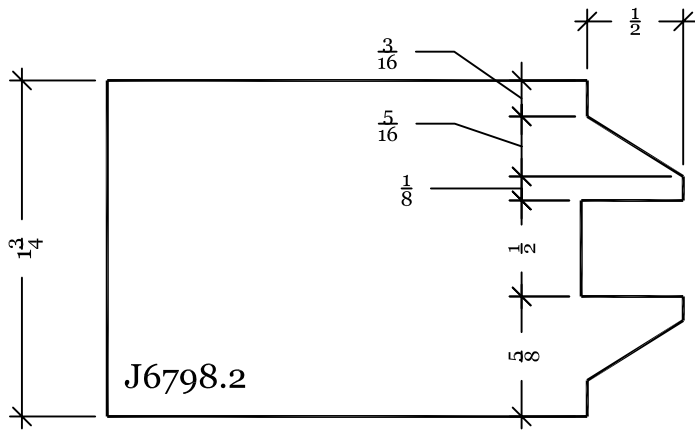




**SELECT DOOR**  
*artistry and attention to detail*

# Bevel 1

# 1/2" x 1/2"

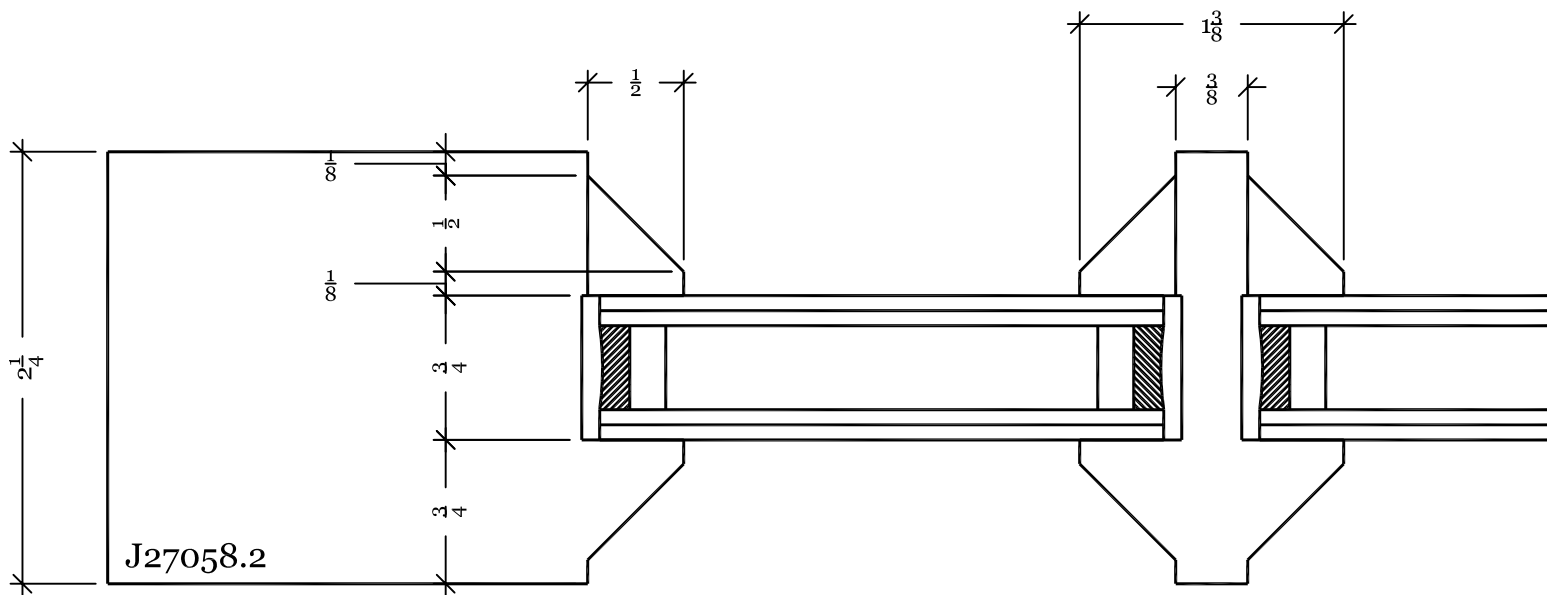
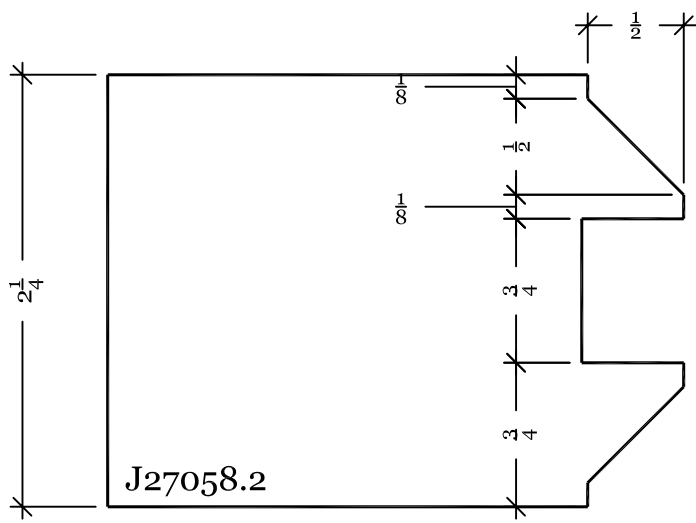
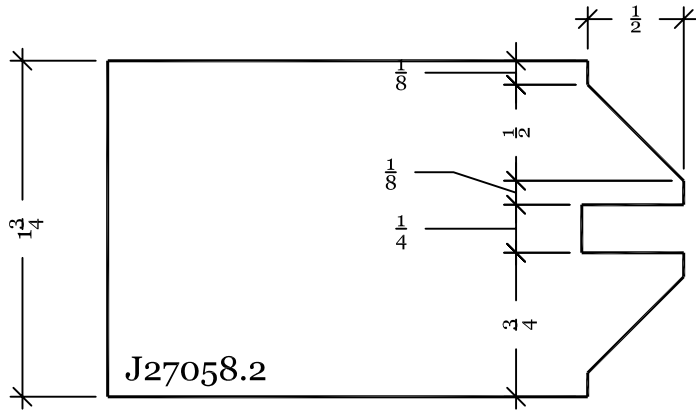




**SELECT DOOR**  
*artistry and attention to detail*

*Bevel 2*

$1/2'' \times 5/8''$

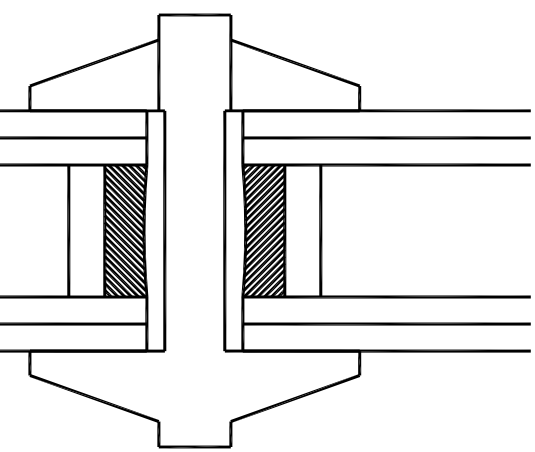
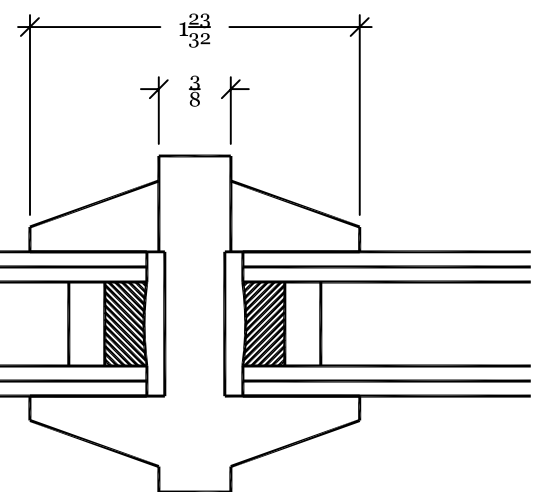
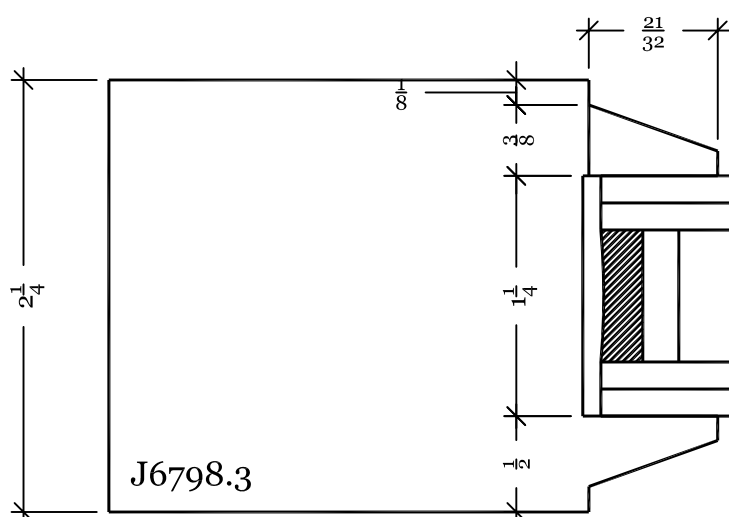
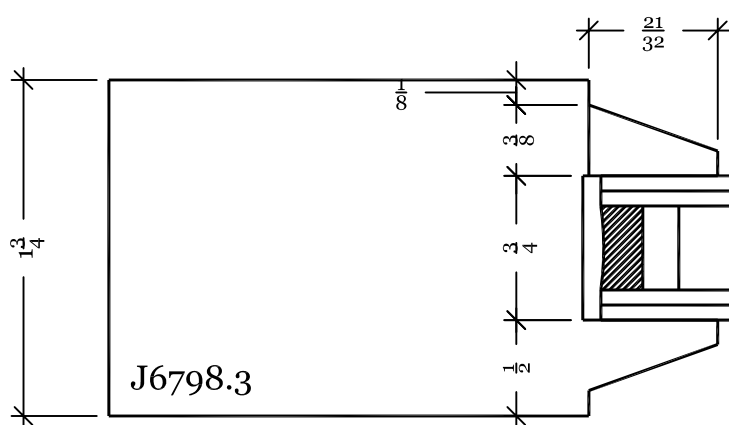
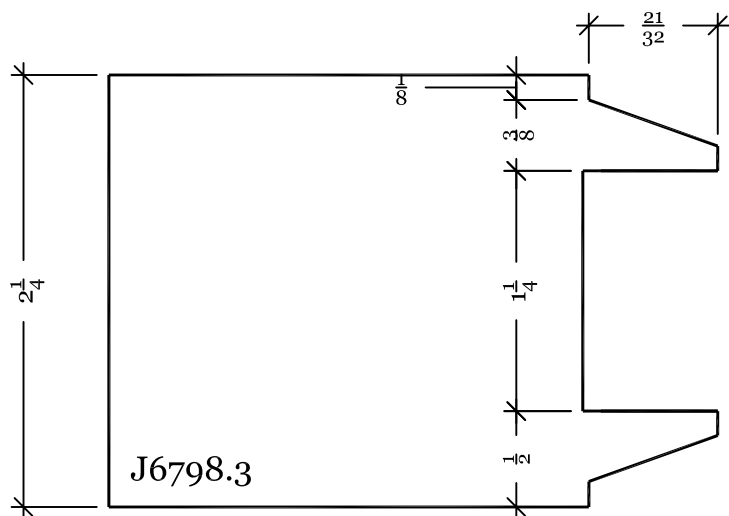
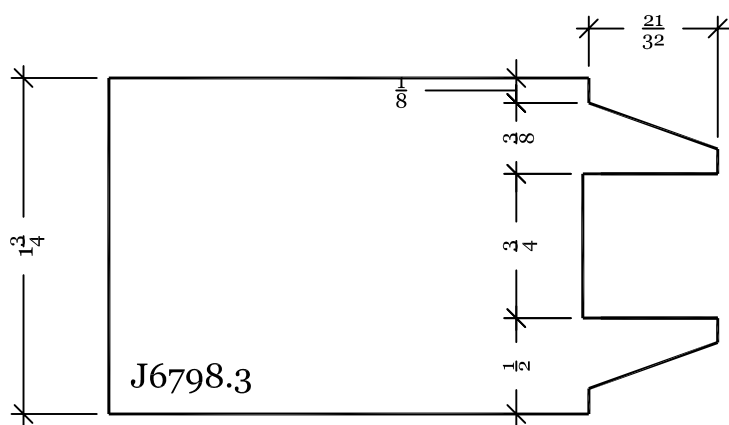
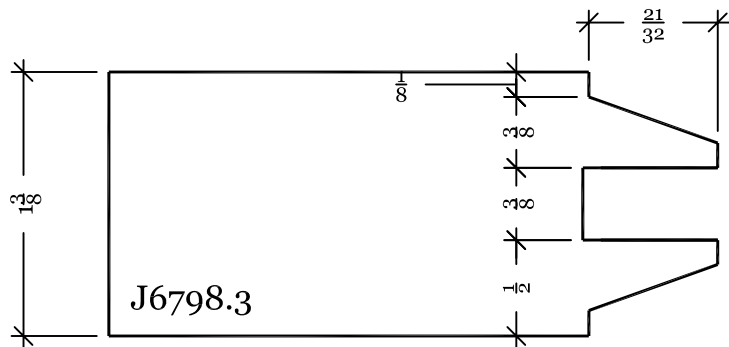




**SELECT DOOR**  
*artistry and attention to detail*

*Bevel 3*

*11/16" x 3/8"*

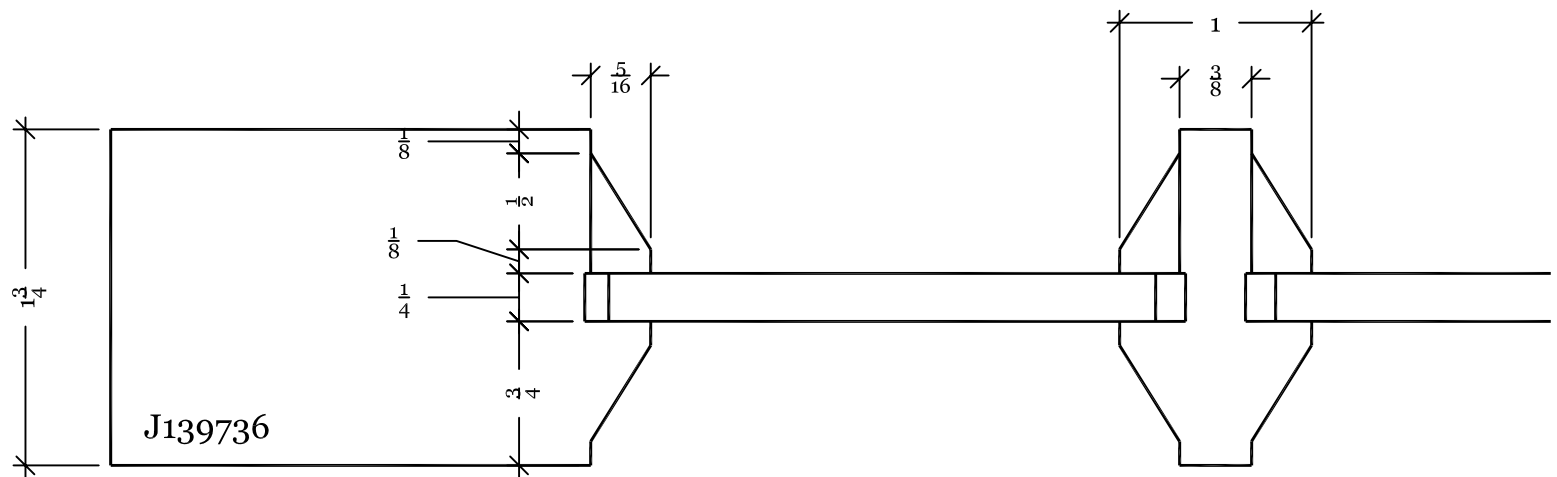




**SELECT DOOR**  
*artistry and attention to detail*

CC 38

$5/16'' \times 5/8''$



CC 39

$1'' \times 3/8''$

$1\frac{3}{4}$ " doors only

