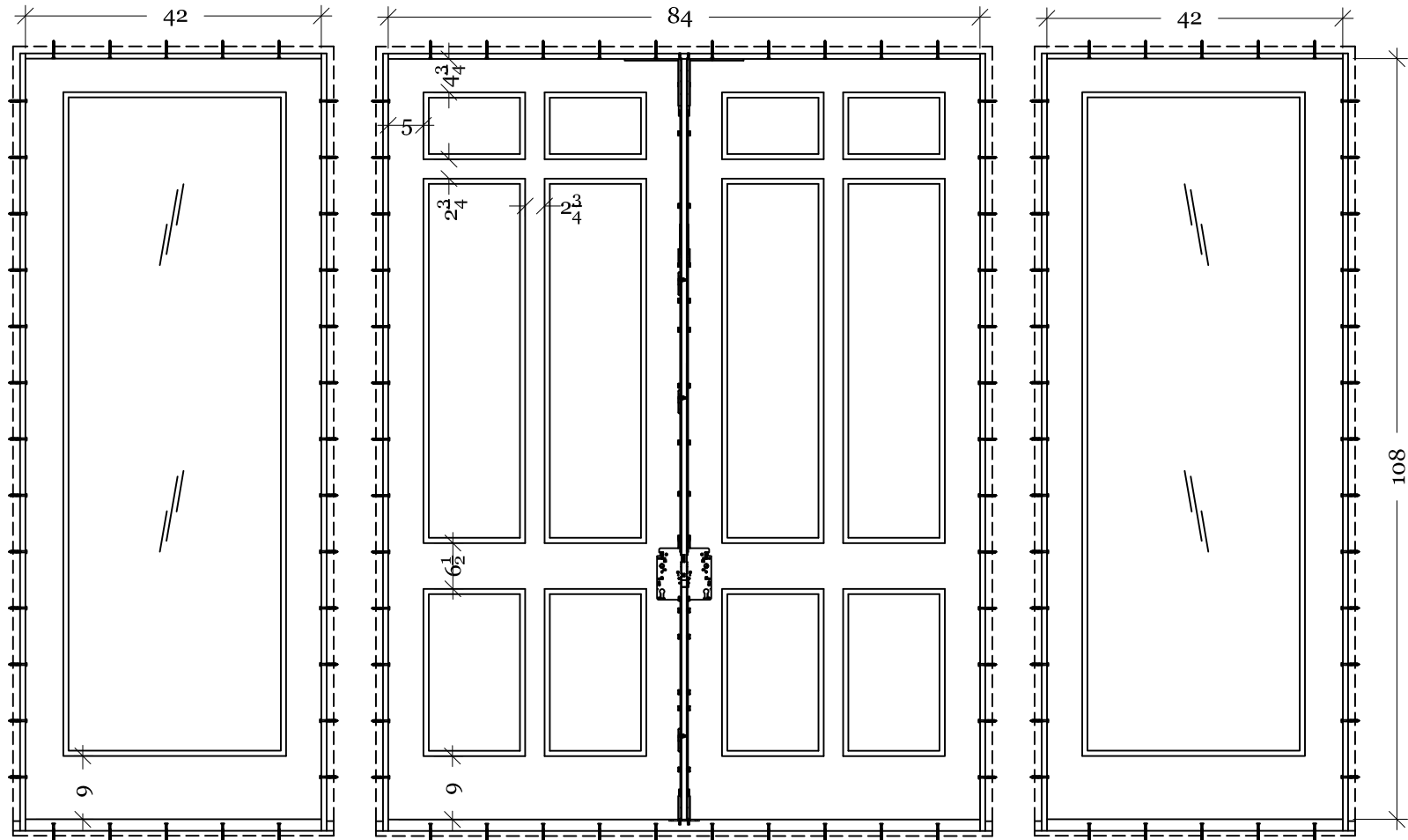


From these basic dimensions create your own unique "Windzone Defense" entries



Inswinging single & double doors. Separately mullered sidelights



SelectDoor

2074 Perry Road ~ North Java, NY 14113
 Phone: 585-535-9900
 Fax: 585-535-9923
 Web: www.selectcustomdoor.com

Title: Wind Zone Defense

Order #:

Page:

Date:

Scale: 1/2" : 1'0"

Drafter:

This design and drawing is the exclusive property of Select Door., is submitted as confidential information in connection with your inquiry. It must not be used for any other purpose, nor may it be copied or loaned without written permission of Select Door.

Windzone Defense Doors

2 1/4" thick either solid or stave core construction

Maximum Finished Opening

Bipart - up to 7'0" x 9'0"

Single - up to 3'6" x 9'0"

Minimum component dimensions

Stile & Top rail = 5"

Lock rail = 6 1/2"

Bottom rail - 9"

Glass doors: french cope construction with a

1" impact glass

Applied grill for a simulated divided light with no internal metal grid.

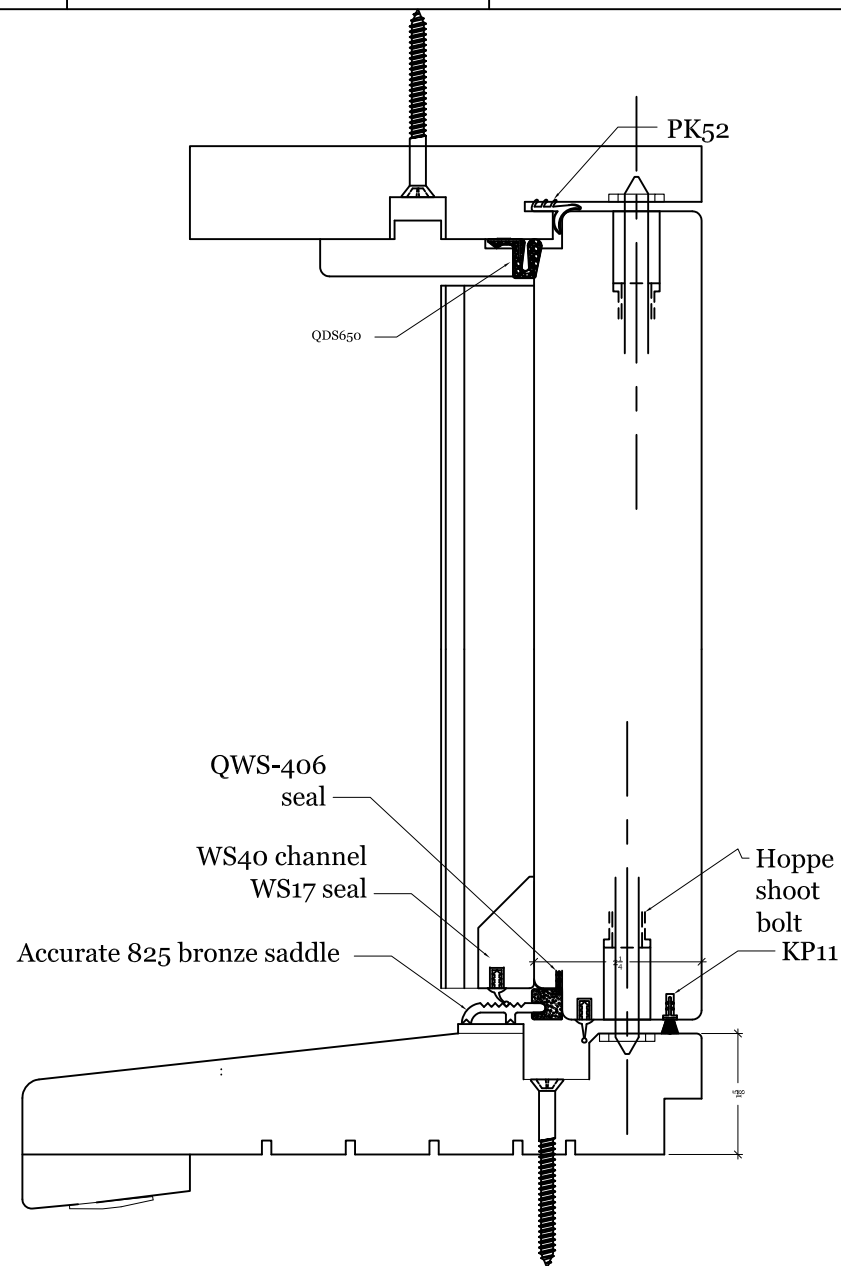
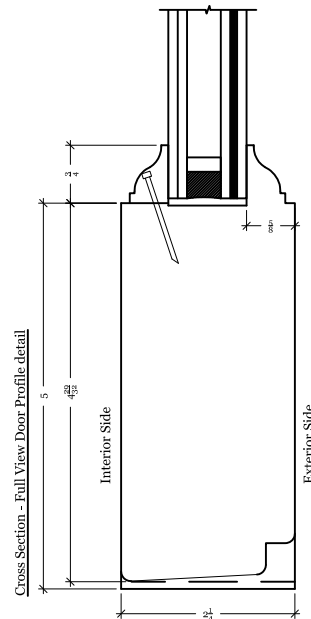
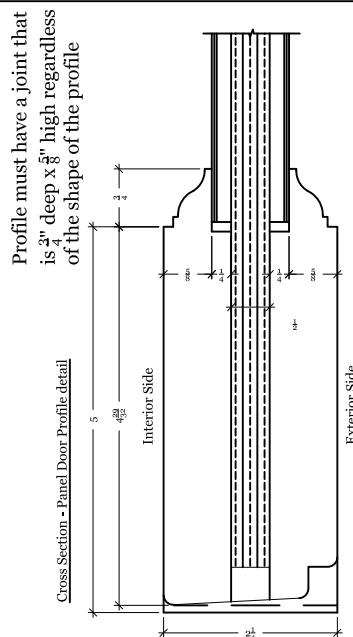
Paneled doors:

2 1/4" thick with a minimum 1" thick panel

Considerable latitude in design as long as minimum component dimensions are held.

Windzone Defense Prehang System

- 1 1/4" x 6 7/8" Rabbeted jambset, extension jambs for deeper openings
- Multiple layers of weather strip
- Choice of standard brickmold options
- 1 5/8" "Contain & Drain" exterior sill
- 825 bronze saddle
- Rain diverter
- Inswing unit
- Ball bearing 4 1/2" x 4 1/2" hinges.
 - 1 1/2 pair for 6'8" to 7'5" doors
 - 2 pair for 7'6" & above
- "T" astragal on inactive door
- Hoppe 5 - point lockset mechanism installed.
- #12 x 2 1/2" stainless steel anchor screws
- Custom stainless steel shoot bolt strikes



SelectDoor

2074 Perry Road ~ North Java, NY 14113

Phone: 585-535-9900

Fax: 585-535-9923

Web: www.selectcustomdoor.com

Title: Zone 3 Certified, +/- 50 DPF

Order #:

Page:

Date:

Scale:

Drafter:

This design and drawing is the exclusive property of Select Door., is submitted as confidential information in connection with your inquiry. It must not be used for any other purpose, nor may it be copied or loaned without written permission of Select Door.